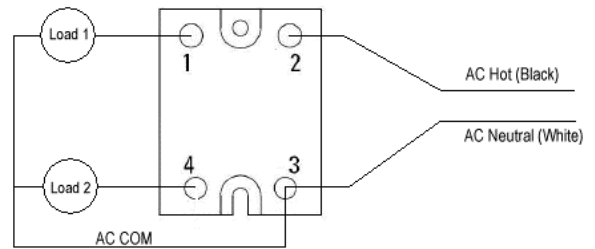


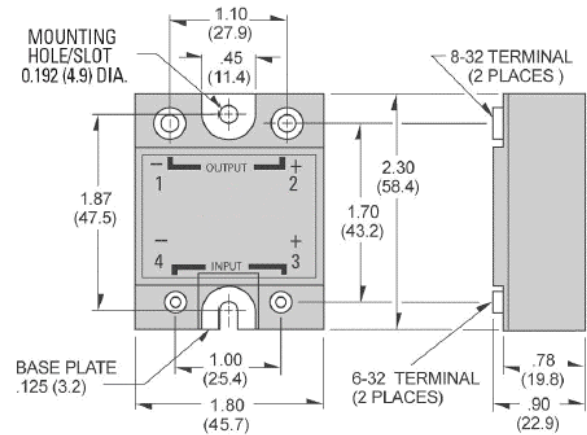
Model AF1039
2 Channel, High Power
AC Alternating Flasher



AF1039 WIRING DIAGRAM



AF1039 Package Dimensions



AF1039 Operation

This panel mounted cube flasher has a small footprint of just 1.75 x 2.25 inch and will mount directly on any flat metal surface with two #8 screws. This flasher is fully encapsulated for harsh environmental performance of NEMA and 170 type flasher specifications.

When supply voltage is applied, Load 1 turns on and Load 2 is off. After 1.07s they reverse and Load 1 turns off and Load 2 turns on and the cycle repeats. This represents a flash rate of 56 flashes per minute. This ON/OFF cycling continues until the supply voltage is removed. The OFF time always equals the On time i.e. 50% Duty cycle. Single circuit operation is possible by connecting only one load.

AF1039 Flasher features

- **Compact Cube flasher pkg**
- **Totally encapsulated & Solid State**
- **Panel mounting with Integral Heat-sink**
- **High In-rush capability**
- **Up to 10A loads, Full wave 120VAC**
- **NEMA Type 170 flasher for street use**