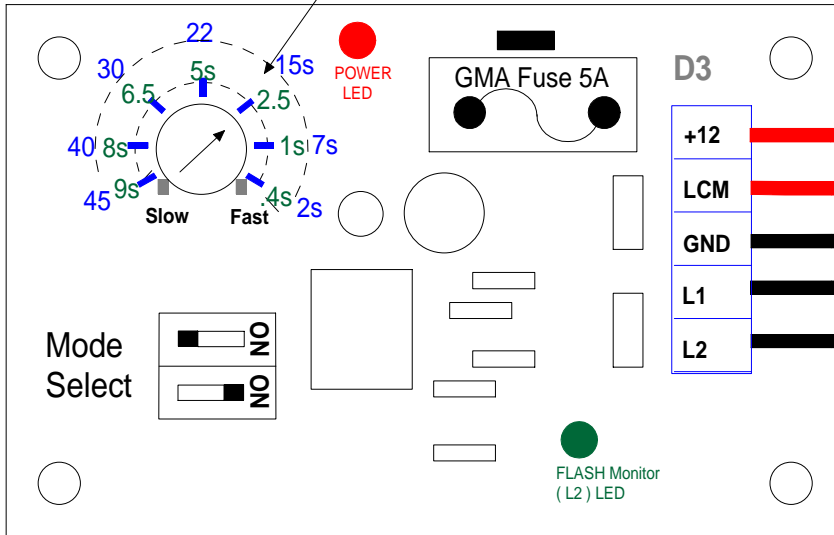
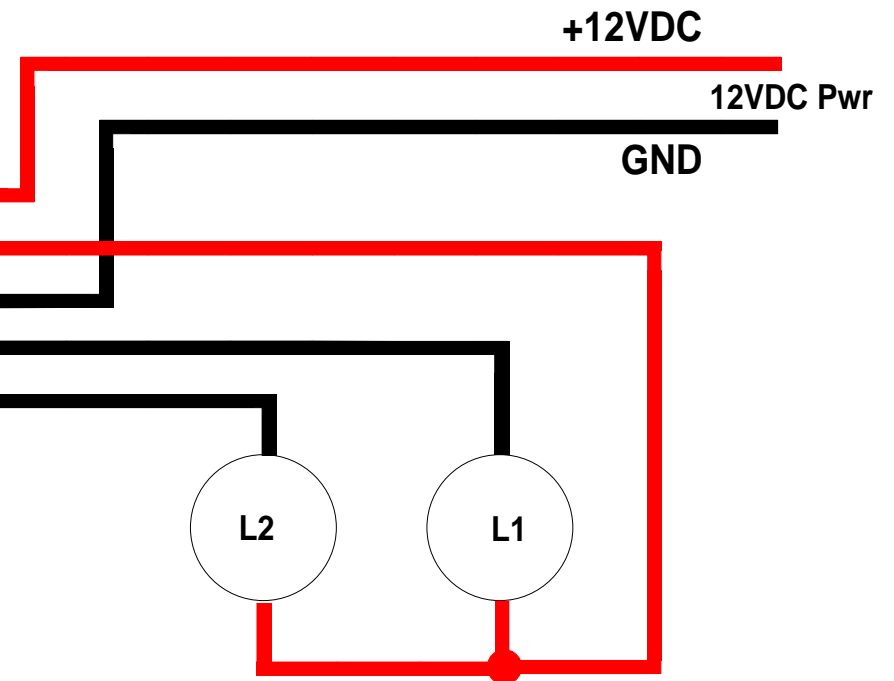


SPEED ADJUST



Board size 2 x 3 inches
Hole Pattern 1.6 x 2.5 inches

FOR DC VOLTAGE ONLY >10VDC and <16VDC
Do not operate on AC VOLTAGE!



LAMP COMMON= +12V

**2 Channel DC Flasher,
12VDC- 4AMax / 50 W Max. lamp per output
Adjustable Speed, Two Ranges
Total cycle time shown (approx)
Speed Select Switch**

SW1 ON= SLOW FLASH OFF = FAST FLASH (GREEN)

SW2 ON= BRIDGE 1+2, OFF = ALTERNATING FLASH

+12V 12VDC Power and Lamp Common

LCM 12VDC Lamp Common

GND DC Return Line (Ground)

L1 LAMP 1 Output connection

L2 LAMP 2 Output connection

WIRING DIAGRAM

Lights To Go!

PO Box 533

Derby, KS 67037

sales@trafficlights.com

(316) 409-4911

Model D2.00 12VDC Alternating Flasher (Wig-Wag)

<http://www.trafficlights.com>