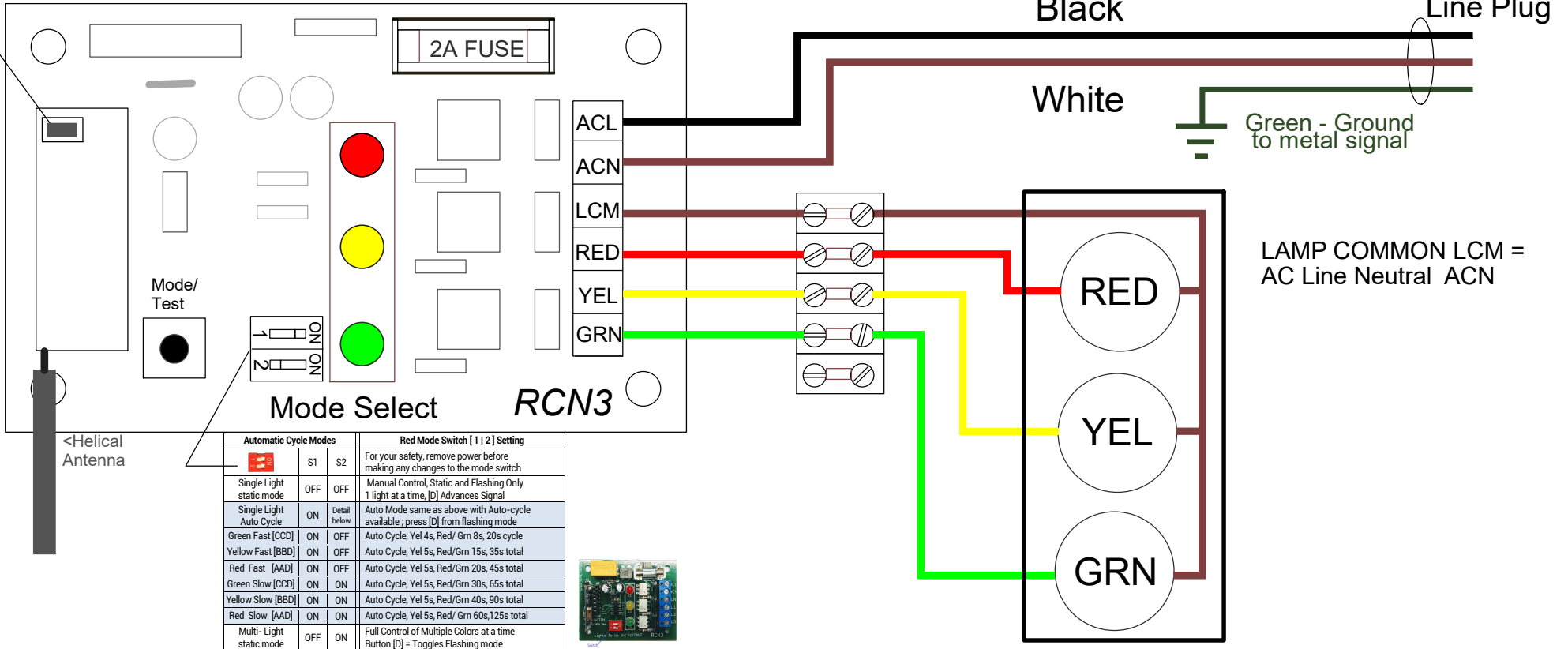


Learn Button (to add additional remotes)

120V AC Line Plug



3 Light, Remote Control Traffic Signal Sequencer, 120VAC/150W Max. LED/ incandescent See Instruction sheet for operation details

ACL - 120 VAC Line - Hot (BLACK)  
 ACN - 120 VAC Line - Neutral ( WHITE)  
 LCM - Common to all lamps ( =ACN )  
 RED - Red Lamp connection  
 YEL - Yellow Lamp connection  
 GRN - Green Lamp connection  
 Fuse 2A, 5x20mm GMA type

Wiring Diagram

**Lights To Go Inc**

208 E. Silkknitter  
 Rose Hill, KS 67133

Sales@LightsToGo.com  
 (316) 409-4911

RCN3 - 3 Light, RYG, Traffic Signal Remote Control Sequencer

<http://www.trafficlights.com>